

Technical data sheet

Product features



Linear counter top freezing counter GN 1/1 without TOP 2x2 drawer stainless steel

Model	SAP Code	00012021
--------------	-----------------	----------



- Material: AISI 304
- GN / EN size in device: GN 1/1
- Number of GN / EN: 4
- Control type: Digital
- Minimum device temperature [°C]: -10
- Maximum device temperature [°C]: -24
- Max ambient temperature [°C]: 40
- Insulation thickness [mm]: 50
- Unit: Right
- Automatic defrost: Yes

SAP Code	00012021	Chamber volume [l]	86
Net Width [mm]	1200	Number of GN / EN	4
Net Depth [mm]	685	GN / EN size in device	GN 1/1
Net Height [mm]	575	Minimum device temperature [°C]	-10
Net Weight [kg]	94.00	Maximum device temperature [°C]	-24
Power electric [kW]	0.353	Refrigerant	R290
Loading	230 V / 1N - 50 Hz	Climate class	5
Energy class	G		

Technical data sheet

Technical drawing

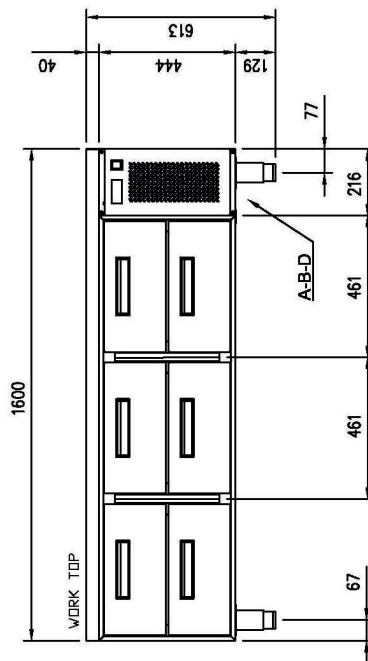
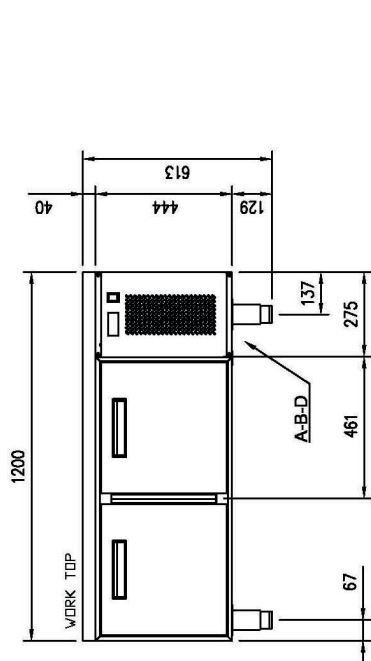
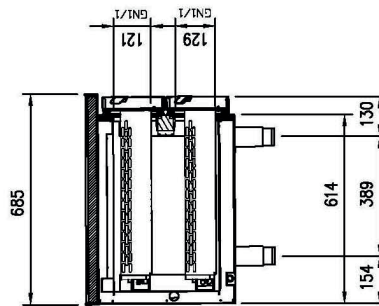
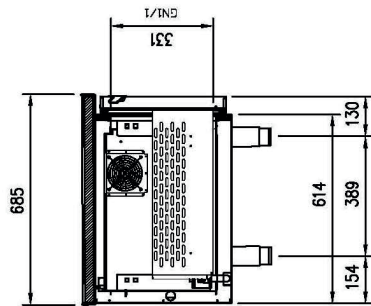


Linear counter top freezing counter GN 1/1 without TOP 2x2 drawer stainless steel

Model

SAP Code

00012021



A= ELECTRICAL CONNECTION
 B= GAS CONNECTION ø8 ø10
 D= WATER DISCHARGE ø20 (M)

Technical data sheet

Technical parameters



Linear counter top freezing counter GN 1/1 without TOP 2x2 drawer stainless steel

Model

SAP Code

00012021

1. SAP Code:

00012021

2. Net Width [mm]:

1200

3. Net Depth [mm]:

685

4. Net Height [mm]:

575

5. Net Weight [kg]:

94.00

6. Gross Width [mm]:

1220

7. Gross depth [mm]:

705

8. Gross Height [mm]:

700

9. Gross Weight [kg]:

111.30

10. Device type:

Electric unit

11. Power electric [kW]:

0.353

12. Loading:

230 V / 1N - 50 Hz

13. Energy class:

G

14. Refrigerant:

R290

15. Material:

AISI 304

16. Exterior color of the device:

Stainless steel

17. Max ambient temperature [°C]:

40

18. Device properties 2:

Freezing

19. GN / EN size in device:

GN 1/1

20. Number of internal parts:

4

21. Number of GN / EN:

4

22. Chamber volume [l]:

86

23. Insulation thickness [mm]:

50

24. Unit:

Right

25. Control type:

Digital

26. Annual energy consumption [kWh]:

3133

27. Minimum device temperature [°C]:

-10

28. Maximum device temperature [°C]:

-24

Technical data sheet

Technical parameters



Linear counter top freezing counter GN 1/1 without TOP 2x2 drawer stainless steel

Model	SAP Code	00012021
--------------	-----------------	----------

29. Automatic defrost:

Yes

31. Net Volume [m3]:

0.473

30. Gross Volume [m3]:

0.602

32. Climate class:

5